



Pakistan Urdu School-Kingdom Of Bahrain-Primary Section
Grade 1 Maths Revision for 3rd Term Exam 2020

Name: _____ Class : _____ Date: _____

Q.1 Match the following

	Column A	Column B
1.	4×7	6
2.	2×3	28
3.	4×10	27
4.	3×9	25
5.	5×5	40

Q.2 Choose the correct answer from the bracket.

1. 4 times 6 is _____ (24, 35)
2. The long hand of the clock is also called _____.(minute hand ,hour hand)
3. The number comes after 469 is _____ (470, 468)
4. 3 times 10 is _____. (33 , 30)
5. The Month November has _____days. (31 days, 30 days)

Q.3 Identify the answers and write in the blanks.

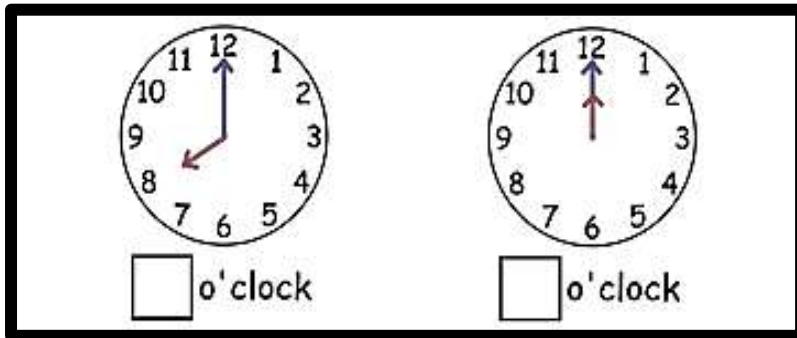
400	468	500	477
-----	-----	-----	-----

1. Four hundred . _____
2. Four hundred sixty eight . _____
3. Five hundred. _____
4. Four hundred seventy seven. _____

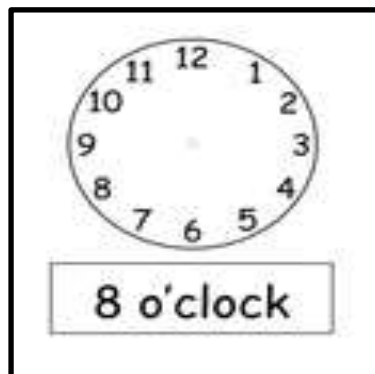
Q.4 Fill in the blanks.

1. _____ is the smallest Month of the Year.
2. 1 year = _____ months.
3. 1 day = _____ hours.

Q.5 Write the time in o' clock.



Q.6 Draw the hands of the clock for the given time.



Q.7 Write the following numbers in Ascending order. (Small.....Big)

- 1) 390, 105, 460, 254

--	--	--	--

Q.8 Write the following numbers in Descending order. (Big Small)

- 1) 34, 84, 90, 20

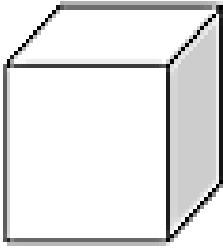
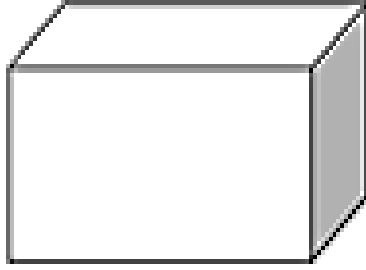
--	--	--	--

Q.9 Write the name of the months for this month and next month.


September	March	May	February	October	June
-----------	-------	-----	----------	---------	------

Last Month	This Month	Next Month
January		
April		
August		

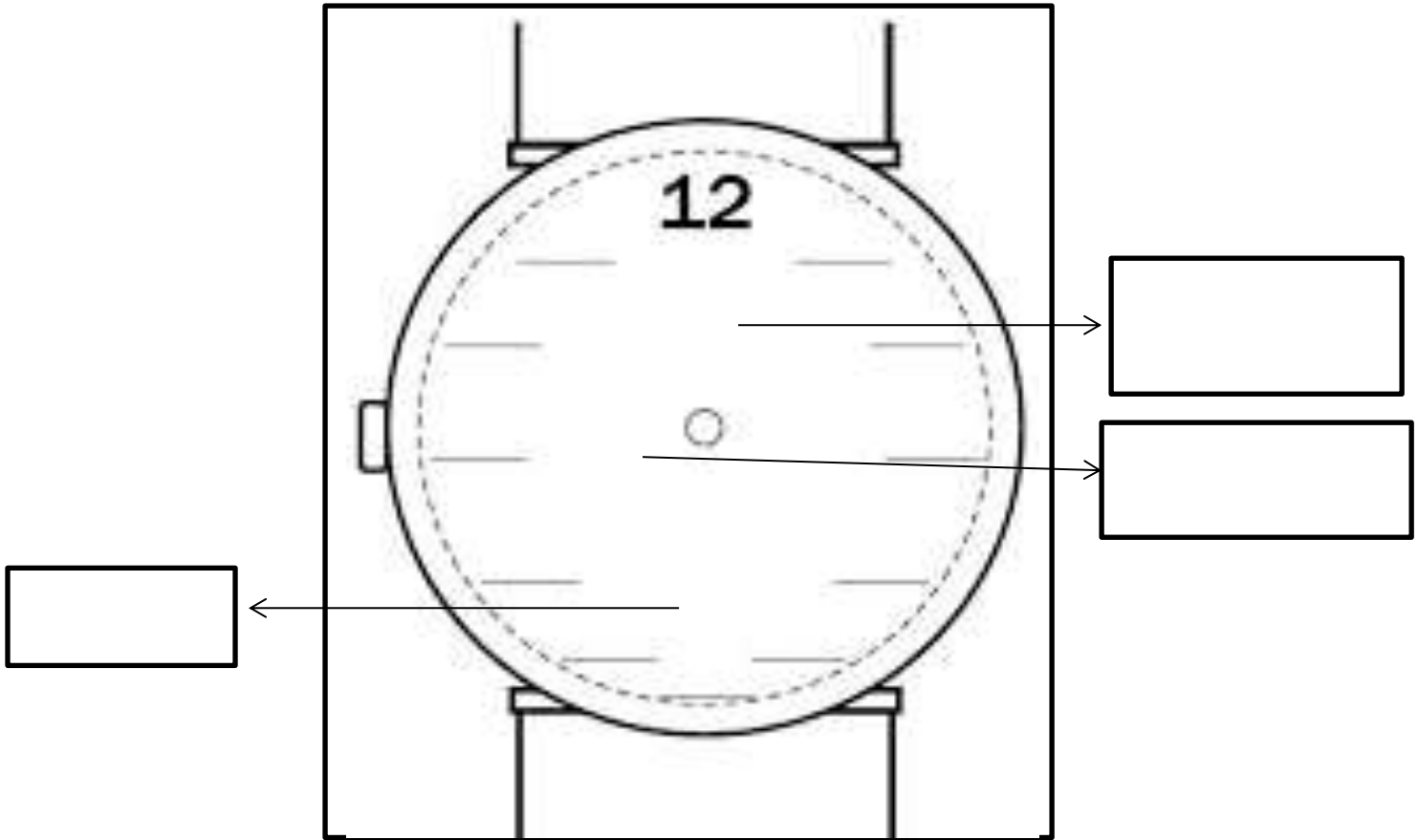
Q.10 Write the properties of given shapes.

	This 3D shape is a _____. It has
	This 3D shape is a _____. It has

Q.11 Write the names of the months according to the first letter of the picture given below.

 _____	 _____
---	---

Q.12 Write the numbers on the clock. Draw the minute hand to 12 and the hour hand to 9. Also mention the time , minute hand, hour hand and face of the clock.



Time is : _____

Q.12 Write the missing numbers in between 450 till 465.

	450	
		465